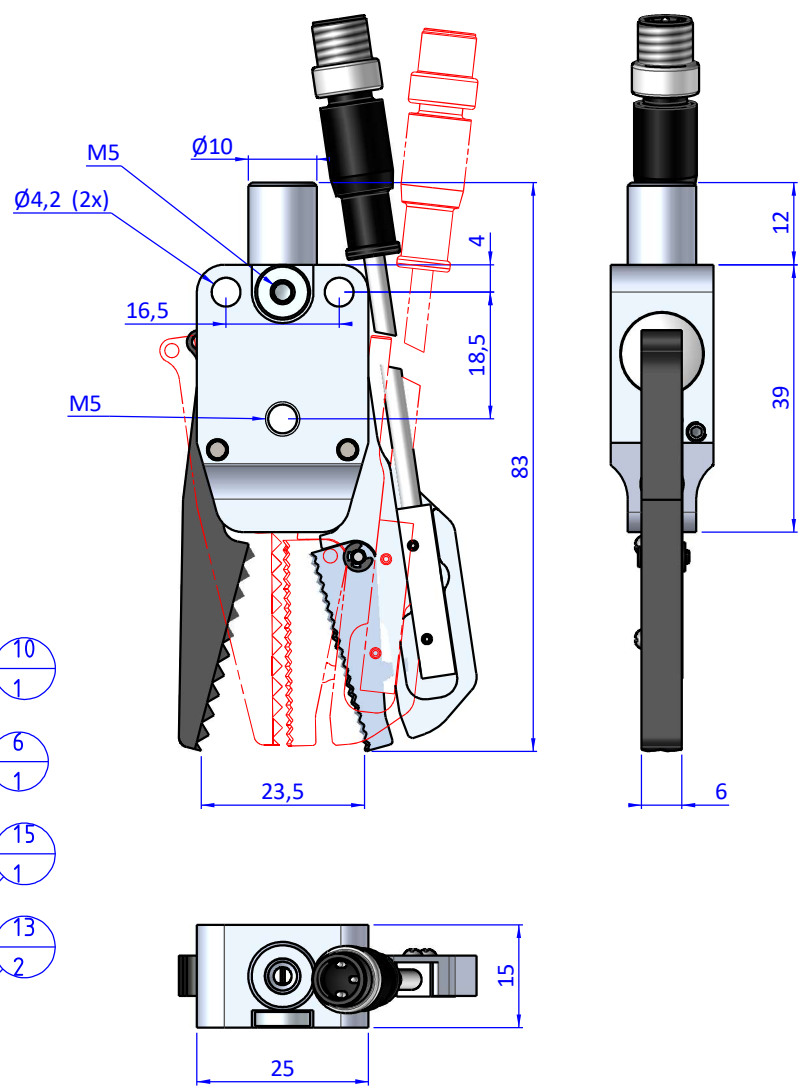
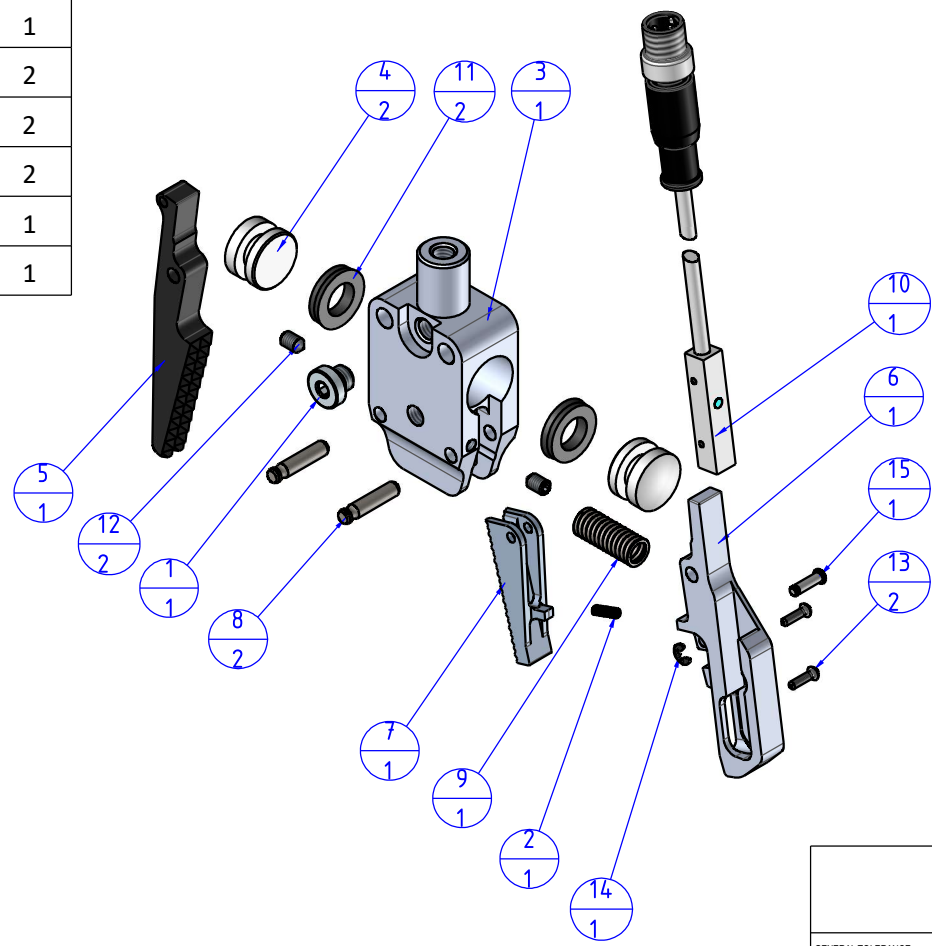



THE PROPERTY OF THE DRAWING IS ESTABLISHED BY LAW. IT IS FORBIDDEN TO PRODUCE OR SHOW IT TO THIRD PART WITHOUT A WRITTEN AGREEMENT.

Item	Name	Qty.
1	CA.08.14.013	1
2	DIM.D10620	1
3	GZA.10.12.1.L	1
4	GZA.10.12.2	2
5	GZA.10.12.3	1
6	GZA.10.12.3.S	1
7	GZA.10.12.3.S1	1
8	GZA.10.12.5	2
9	M.6x25.SH	1
10	MMD.IL5AN3AVF80	1
11	PSP.1269255	2
12	V.STM3X5	2
13	V.TBCE1,6X6	2
14	A.ELA.RA1.5	1
15	SP.2x7.5SS	1



Format A3
UNI 936-76

 FPS SERVICES AUTOMATION		DESIGNED FROM		REVIEW
		FPS Automation		A
GENERAL TOLERANCE		DATE	WEIGHT	
UNI - ISO 2768		24/02/2020	0,067kg	
CLASSE f		CODE		
		CA.GZA.10.12.SN		CA.GZA.10.12.SN